




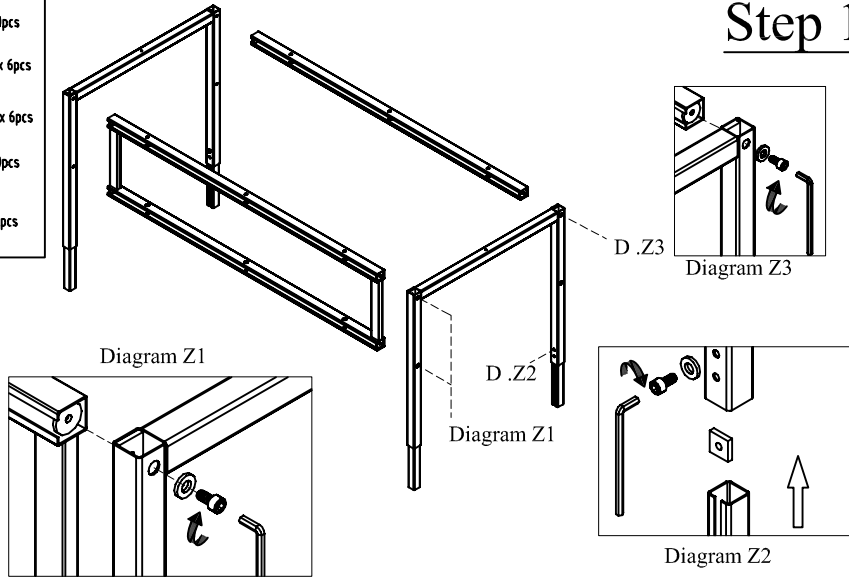


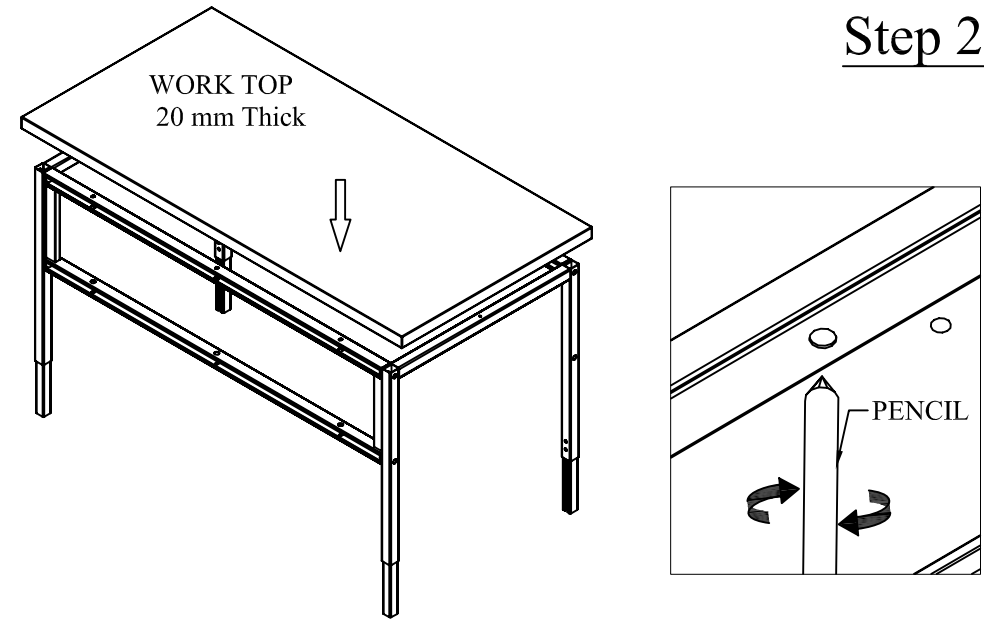
Assembly Instruction for Worktop & Light Duty Frames

- A.  M8x15 x 10pcs
- B.  W.S Ø5x15 x 6pcs
- C.  Ø6.5xØ13.5 x 6pcs
- D.  Ø8.5 x 10pcs
- E.  Key 6 x 1pcs

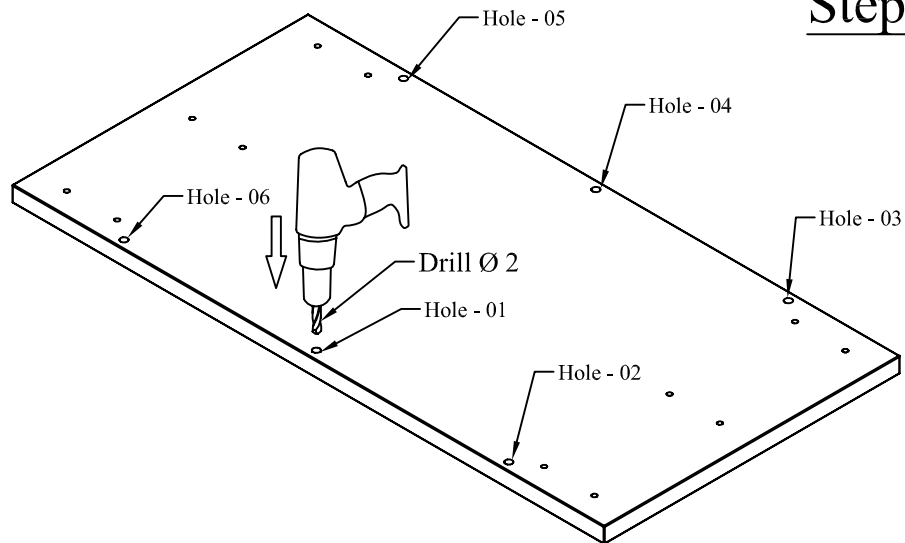
Step 1



Step 2



Step 3



Step 4

